

PDU (POWER DISTRIBUTION UNIT)

Ausgangsverteilung für
USV XANTO 6 KVA und 10 KVA

Quick start guide

Content

Introduction	3
Product Overview	3
Installation and Operation	4
Imprint	6

PDU (POWER DISTRIBUTION UNIT)

Ausgangsverteilung für USV XANTO 6 KVA und 10 KVA

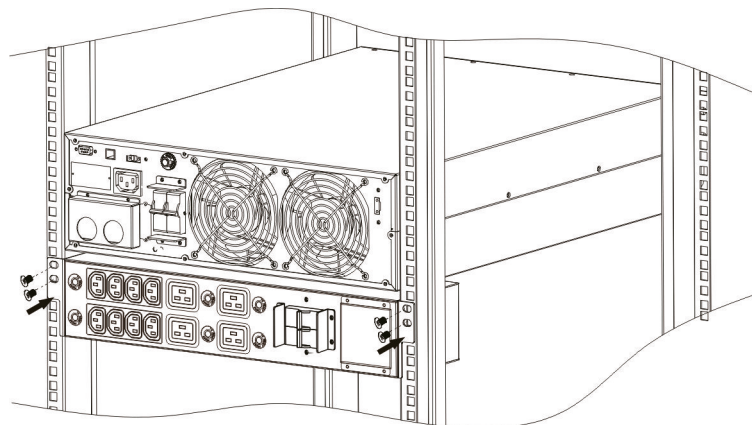
Quick start guide

Introduction

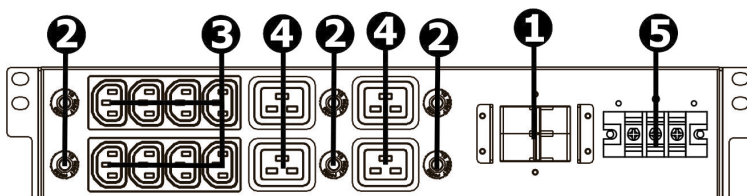
The product is used as an external power distribution unit in conjunction with UPS systems or large-scale voltage regulators. It supplies connected equipment with continuous power from any protected UPS, generator or mains input power source. It's perfect to use in conjunction with 6-10K Rack online UPS.

Rack Mount the Unit

The module can be mounted to a 19" enclosure. Please follow below chart for rack mount installation.



Product Overview



1. UPS input breaker
2. Output breaker
3. Output receptacles (10A)
4. Output receptacles (16A)
5. UPS input terminals

Installation and Operation

Inspection

Unpack the package and check the package contents. The shipping package contains:

- Power distribution unit x 1
- Quick guide x 1

PLEASE NOTE

Before installation, please inspect the unit. Be sure that nothing inside the package is damaged during transportation. Do not install the unit and notify the carrier and dealer immediately if there is any damage or lacking of some parts. Please keep the original package in a safe place for future use.

Initial Setup

The Installation and wiring must be performed in accordance with the local electric laws/regulations and execute the following instructions by professional personnel.

1. Make sure the mains wire and breakers in the building are enough for the rated capacity of UPS to avoid the hazards of electric shock or fire.

PLEASE NOTE

Do not use the wall receptacle as the input power source for the UPS, as its rated current is less than the UPS's maximum input current. Otherwise, the receptacle may be burned and destroyed.

2. Switch off the mains switch in the building before installation.
3. Turn off and shut down the connected UPS.
4. Prepare wires based on the following table:

UPS Model	Wire Spec (AWG)
6K	8
10K	6

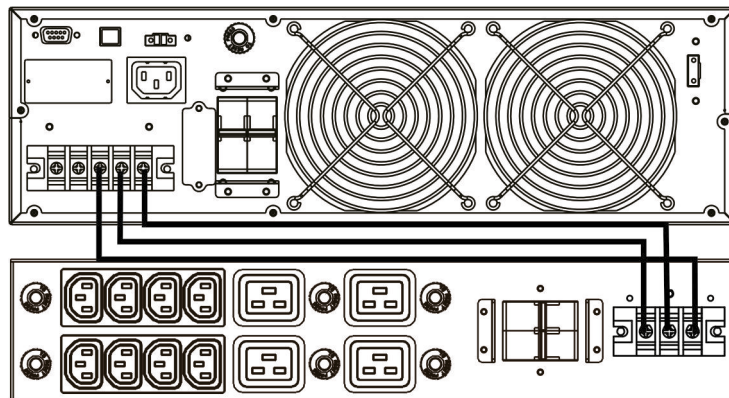
PLEASE NOTE

- The cable for 6K should be able to withstand over 40A current. It is recommended to use 8AWG or thicker wire for safety and efficiency.
- The cable for 10K should be able to withstand over 63A current. It is recommended to use 6AWG or thicker wire for safety and efficiency.
- The selections for color of wires should be followed by the local electrical laws and regulations.

5. Remove the terminal block cover on the rear panel of the module. Then connect the wires according to the following terminal block diagrams:

Connect UPS and Power Distribution Unit

Remove the terminal block cover on the rear panel of the module. Then, connect input terminals of UPS to input terminals of this module. Refer to blew chart for wiring connection:



PLEASE NOTE

Make sure that the wires are connected tightly with the terminals. Put the terminal block cover back to the rear panel.

Imprint

ONLINE USV-Systeme AG

Luise-Ullrich-Straße 8
82031 Grünwald / Germany

Phone +49 (0)89-242 39 90-10
E-Mail info@online-usv.de

> www.online-usv.de

ONLINE USV-Systeme AG c/o swizzconnexx

Pilatusstrasse 17
5630 Muri / Switzerland

Phone +41 (0)41-500 28 68
E-Mail info@online-usv.ch

> www.online-usv.ch

ONLINE UPS-Systems S.r.l.

Via Ferruccio Gilera 110
20862 Arcore (MB) / Italia

Phone +39 (0)39-205 14 44
E-Mail commerciale@online-ups.it

> www.online-ups.it

The content is copyright © 2022 by ONLINE USV-Systeme AG.
All rights reserved. Unauthorised reproduction in part or in whole is not permitted without consent.

